

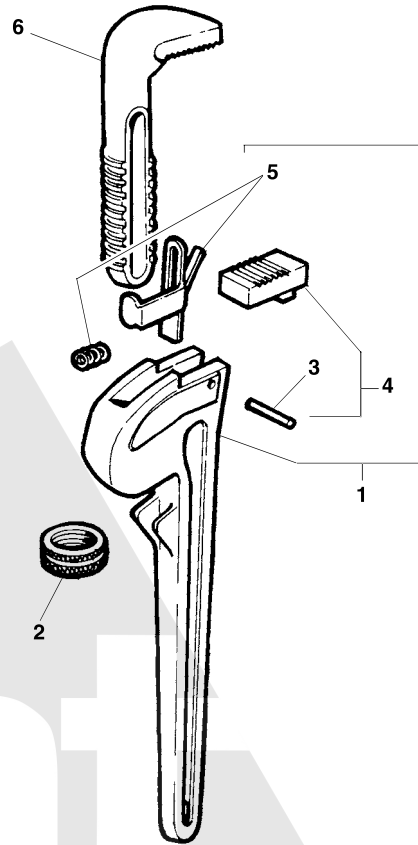
# Straight Pipe Wrench

Capacity: 3/4" through 8"

**NOTE: Order parts by Catalog Number only.  
DO NOT order by Reference Number.**

## 10 Rap Wrench

Ref. No.	Catalog No.	Description
1	32775	Handle Assembly
2	31615	Nut
3	31625	Pin
4	31610	Heel Jaw Assembly
5	31620	Spring Assembly
6	31605	Hook Jaw



## Steel Wrenches

Model Pipe Capacity		6 3/4"	8 1"	10 1 1/2"	12 2"	14 2"	18 2 1/2"	24 3"	36 5"	48 6"	60 8"
Ref. No.	Description	Catalog No.	Catalog No.	Catalog No.	Catalog No.	Catalog No.	Catalog No.	Catalog No.	Catalog No.	Catalog No.	Catalog No.
1	Handle Assembly	31420	31425	31430	31435	31440	31445	31450	31455	31460	31465
2	Nut	31570	31595	31615	31645	31665	31685	31710	31735	31760	31785
3	Pin	31575	31600	31625	31650	31650	31690	31715	31740	31765	31790
4	Heel Jaw Assembly	31560	31585	31610	31635	31635	31675	31700	31725	31750	*31775
5	Spring Assembly	31565	31590	31620	31640	31660	31680	31705	31730	31755	31780
6	Hook Jaw	31555	31580	31605	31630	31655	31670	31695	31720	31745	31770

Service Note : Catalog No. 31775 Heel Jaw also used on Hook Jaw

## Aluminum Wrenches

Model Pipe Capacity		810 1 1/2"	812 2"	814 2"	818 2 1/2"	824 3"	836 5"	848 6"
Ref. No.	Description	Catalog No.	Catalog No.	Catalog No.	Catalog No.	Catalog No.	Catalog No.	Catalog No.
1	Handle Assembly	31510	49972	31515	31520	31525	31530	31535
2	Nut	31615	31645	31665	31685	31710	31735	31760
3	Pin	31625	31650	31650	31690	31715	31740	31765
4	Heel Jaw Assembly	31610	31635	31635	31675	31700	31725	31750
5	Spring Assembly	31620	31640	31660	31680	31705	31730	31755
6	Hook Jaw	31605	31630	31655	31670	31695	31720	31745