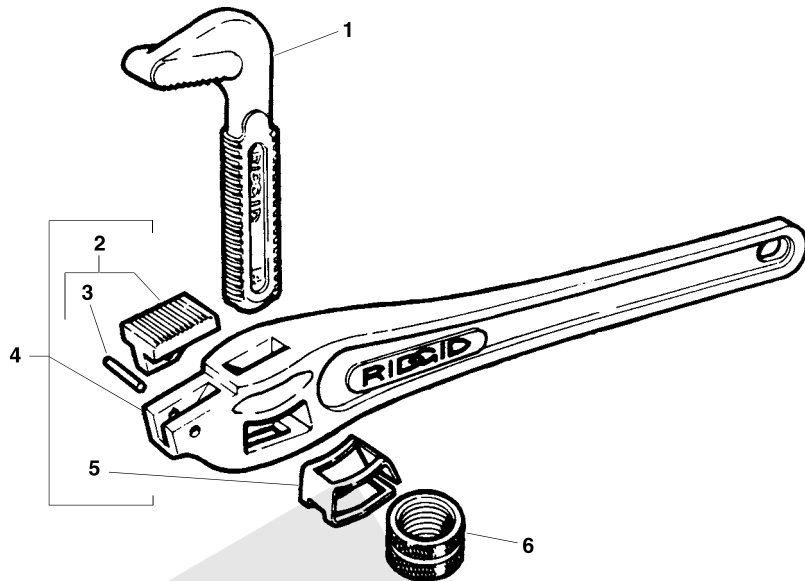


## Offset Wrench

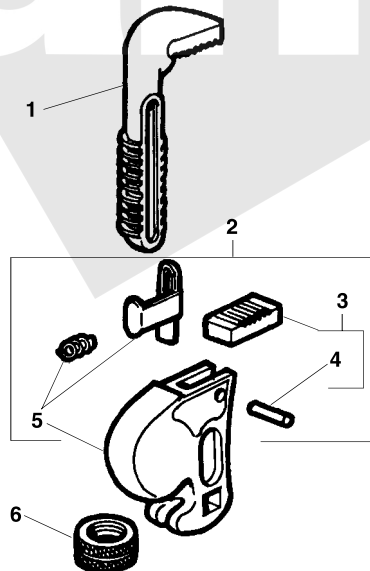


**NOTE: Order parts by Catalog Number only.  
DO NOT order by Reference Number.**

Ref. No.	Description	14	18	24
		1/8"-2"	1/4"-2 1/2"	1/4"-3"
Ref. No.	Description	Catalog No.	Catalog No.	Catalog No.
1	Hook Jaw	32490	32505	32520
2	Heel Jaw Assembly	31635	31675	31700
3	Pin	31650	31690	31715
4	H.D. Handle Assembly	92080	92085	92090
	Alum. Handle Assembly	32480	32495	32510
5	Spring	32485	32500	32515
6	Nut	31665	31685	31710

## No. 16 Vertical Wrench

Capacity: 2"



Ref. No.	Catalog No.	Description
1	31655	Hook Jaw
2	32805	Head Assembly
3	31635	Heel Jaw Assembly
4	31650	Pin
5	31660	Spring Assembly
6	31665	Nut