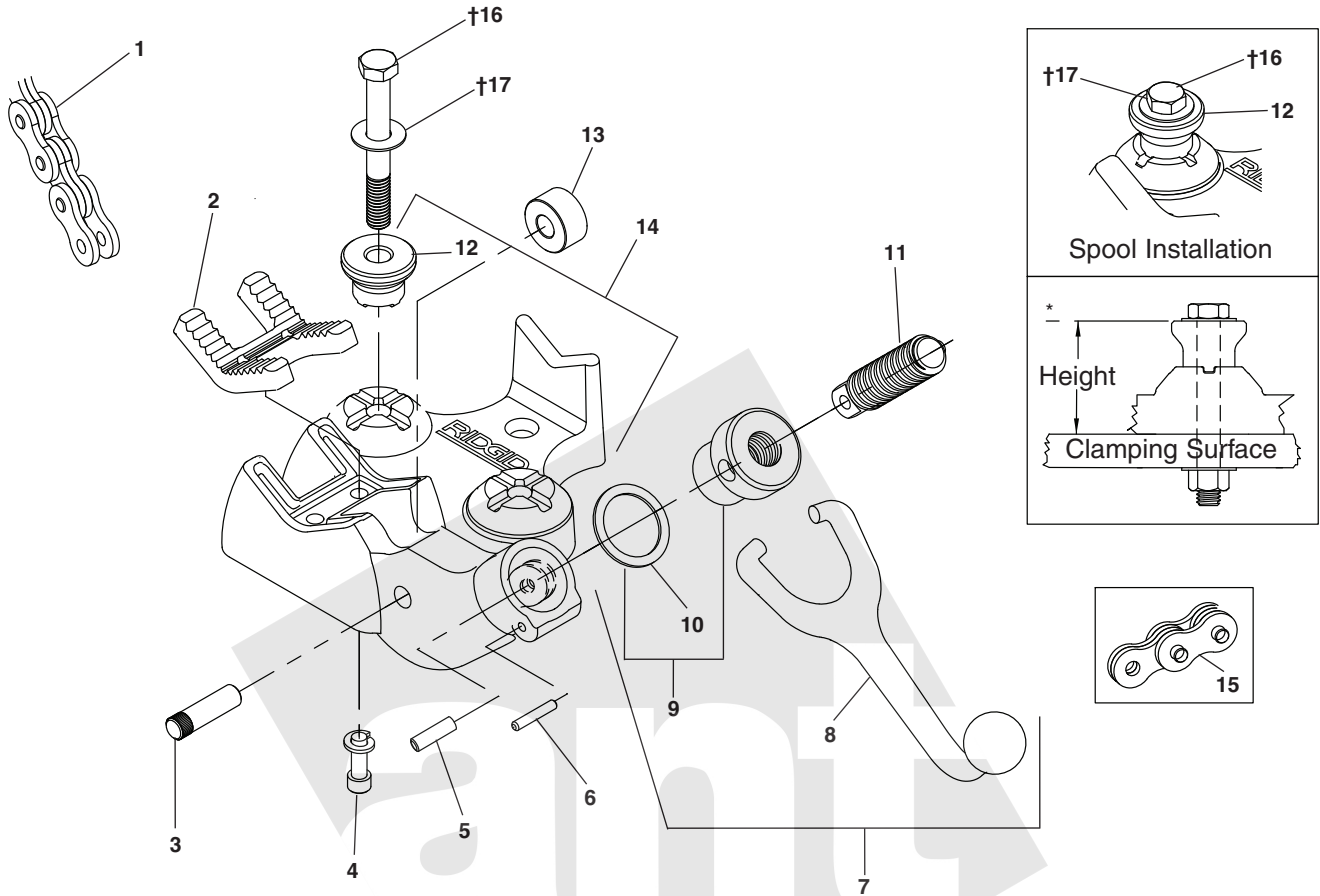


Nos. BC-210A, BC-410A, BC-510A, BC-610A & BC-810A



**NOTE: Order parts by Catalog Number only.
DO NOT order by Reference Number.**

Ref. No.	Description	BC-210A	BC-410A	BC-510A	BC-610A	BC-810A
		1/8"-2 1/2"	1/8"-4"	1/8"-5"	1/4"-6"	1/2"-8"
		Catalog No.	Catalog No.	Catalog No.	Catalog No.	Catalog No.
1	Chain Assembly	41005	41055	72092	41130	41155
2	Jaw	44858	41020	41020	41085	41140
	Jaw f/Plastic Pipe	41275	41280	41280	—	—
	Jaw f/Coated Pipe	—	40222	40222	—	—
3	Roll Pin	41035	41035	41035	41110	41110
4	Jaw Screw with Washer (2)	48288	49648	49648	49653	49658
5	Chain Screw Pin	41040	41040	41040	41115	41115
6	Nut Locking Pin	48413	31650	31650	48418	48418
7	Handle Assembly	41000	41050	41050	41125	41125
8	Handle	40970	41015	41015	41080	41080
9	Swivel Nut Assembly	41010	41060	41060	41135	41135
10	Friction Ring	40975	41025	41025	41100	41100
11	Chain Screw	40980	41065	41065	41095	41095
12	Spool (2)	48298	48383	48383	48383	48388
13	Roll	40990	40990	40990	41105	41105
14	Base Assembly	48293	48393	48398	48403	48408
15	Chain Link Assembly	68625	68625	68625	68630	68630
†16	Recommended Bolt Size	3/8"	1/2"	1/2"	1/2"	5/8"
†17	Recommended Washer Size	3/8"	1/2"	1/2"	1/2"	5/8"

*Height Spool and Base Height (inch) 1 7/8"

†Ref. No. 16 & 17 not provided. Minimum Grade 5 Bolt